

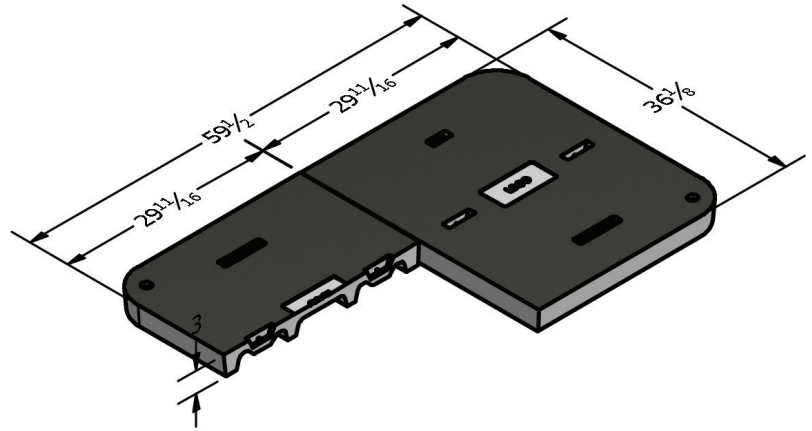
3660

SYNERTECH®

COVER

- Style: Flush Solid
- Material: DuoMold Composite
- Model: 36" x 60"
- Weight: 358 lbs
- Std. Fasteners: 1/2-13 Stainless Steel Hex Head Bolt, Self-Locating Insert
- Options: Logos and Special Markings
- Surface: Slip Resistant & Marked*
- Coefficient of Friction: >0.6 ASTM 1028
- Performance: ANSI/SCTE-77 Tier 22, WUC 3.6, ASTM C857 A-16

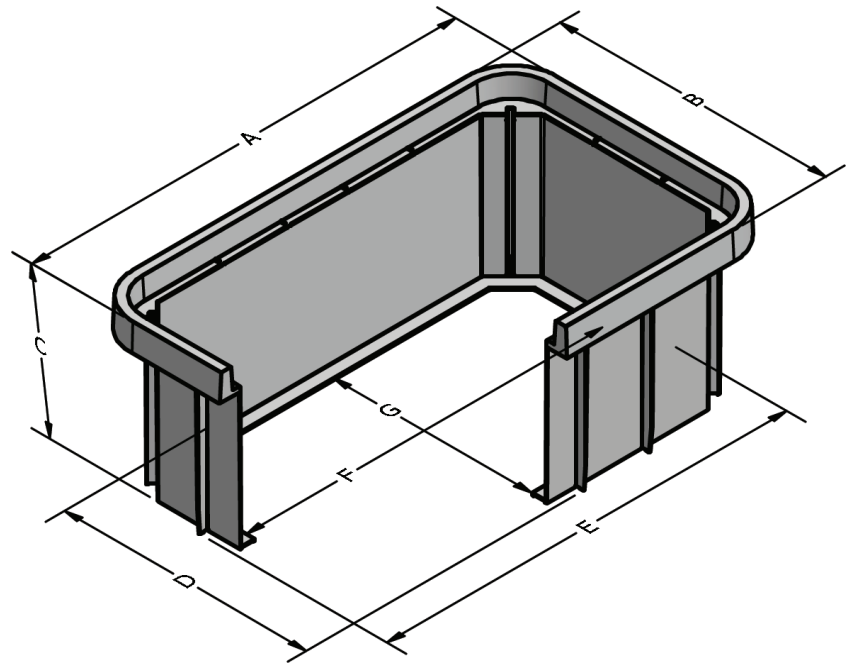
Cover comes standard with permanent markings for manufacturer, load rating, model size and manufacturing location.



BODY

- Material: DuoMold Composite
- Model: 36" x 60"
- Weight: 24" Depth: 190 lbs
36" Depth: 222 lbs
- Wall Type: Straight
- Performance: ANSI/SCTE-77 Tier 22, WUC 3.6, ASTM C857 A-16

Bodies are stackable to depths of: 48", 60", 72".
Stacked bodies are not rated.



LOAD RATING / NOTES



HEAVY DUTY
ANSI/SCTE TIER 22

For use in non-vehicular traffic situations only.
Weights and dimensions may vary slightly.
Actual load rating is determined by the box and cover combination.

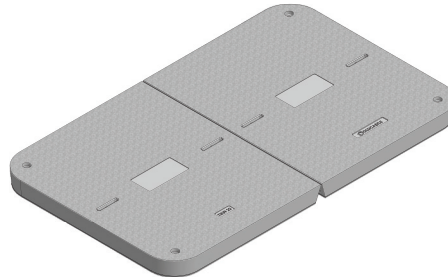
	A	B	C	D	E	F	G
3660-24	63	39-5/8	24	36-1/4	59-5/8	52-3/4	29-3/8
3660-36	63	39-5/8	36	36-1/4	59-5/8	52-3/4	29-3/8

3660

SYNERTECH®

COVER OPTIONS

DuoMold Composite, Flush Solid



FASTENER OPTIONS

Hex Head Bolt (A)
Penta Head Bolt (B)
Oldcastle Vandal Resistant Bolt (C)



Standard Thread



A



B



C

BODY OPTIONS

Larger Lift Hook Pocket
EMS Marker
Mouseholes/Knockouts
Rack Mount
Cable Racks/Cable Arms
Unistrut
Pulling Eye - 1,000 lb and 3,000 lb
Ground Buss
Dividers
Racking Provision
Lid Gaskets*
Solid Bottom
Bodies are Stackable (tallest body on bottom)



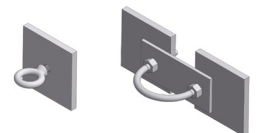
Rack Mount



Cable Rack
Cable Arm



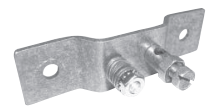
Unistrut



Pulling Eye



EMS Marker



Ground Buss

* Lid Gaskets inhibit water flow into the box, they do not make enclosure fully waterproof.

WARNING: Cancer - www.P65Warnings.ca.gov

All information contained on this sheet is current at the time of publication.
Oldcastle reserves the right to discontinue or update product information without notice.

Revision 11/09/18
© 2018 Oldcastle Infrastructure