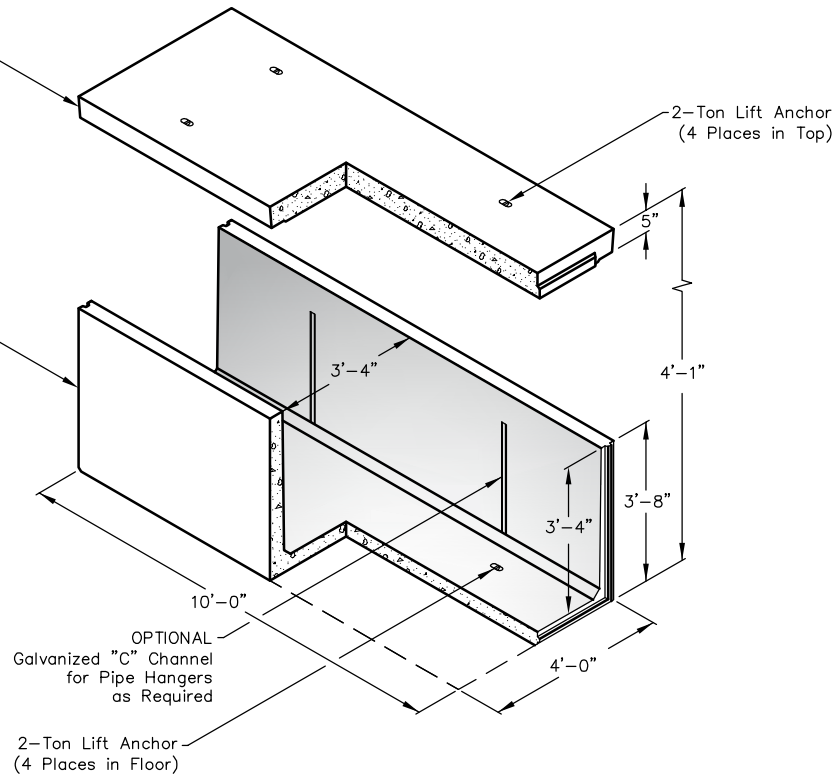


# 4040 TRENCH

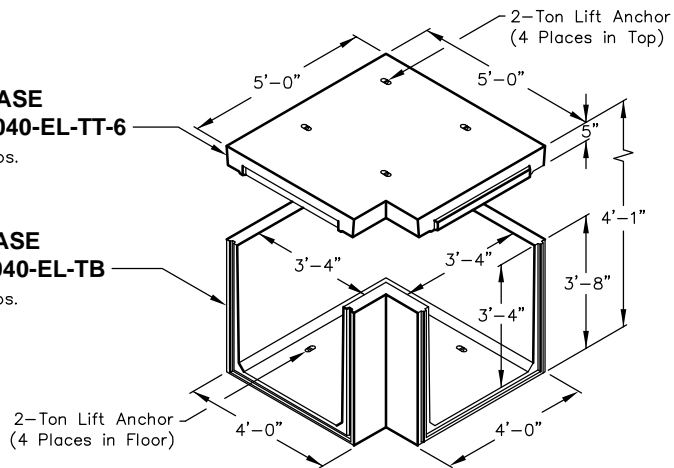
**TRENCH TOP**  
**No. 4040-TT-6**  
 3,200 lbs.

**TRENCH BASE**  
**No. 4040-TB**  
 5,600 lbs.




**90° BASE**  
**No. 4040-EL-TT-6**  
 1,880 lbs.

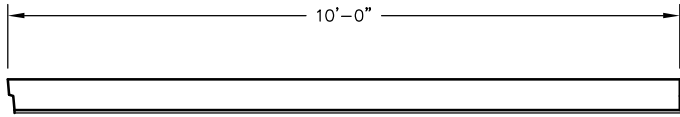
**90° BASE**  
**No. 4040-EL-TB**  
 2,800 lbs.



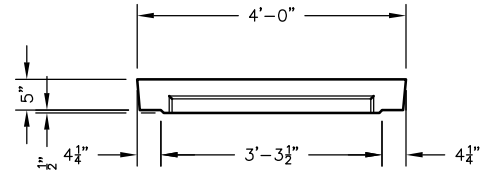
Note: Designed for 0 to 5'-0" of Cover

 <b>Oldcastle Precast®</b> PO Box 323, Wilsonville, Oregon 97070-0323 Tel: (503) 682-2844 Fax: (503) 682-2657	<b>4040 TRENCH</b>	<b>4040 TRENCH</b> <b>3 x 3</b>
	File Name: 020-4040TR	
	Issue Date: 2016	
	<a href="http://oldcastleprecast.com/wilsonville">oldcastleprecast.com/wilsonville</a>	

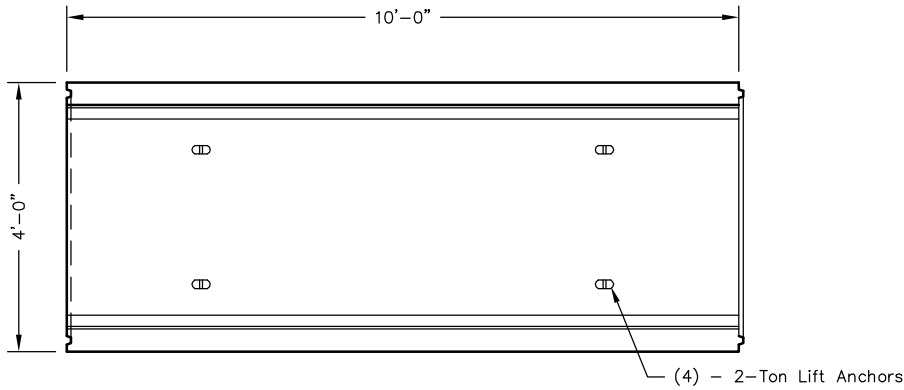
# 4040 TRENCH



**SIDE VIEW - TOP**



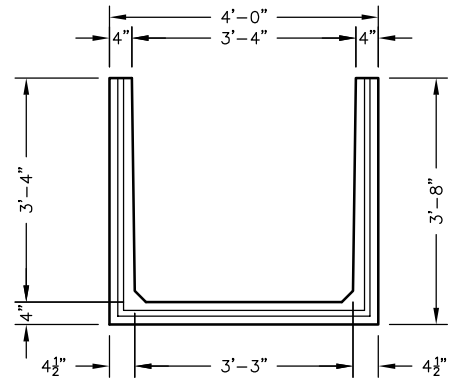
**END VIEW - TOP**



**PLAN VIEW - BASE**




**SIDE VIEW - BASE**



**END VIEW - BASE**

- Notes:
- Customer to grout or caulk joints on vertical plane.
  - Butyl resin sealant supplied for joints on horizontal plane.

 <b>Oldcastle Precast®</b> PO Box 323, Wilsonville, Oregon 97070-0323 Tel: (503) 682-2844 Fax: (503) 682-2657	<b>4040 TRENCH</b>	<b>4040 TRENCH 3 x 3</b>
	File Name: 020-4040TR	
	Issue Date: 2016	
	<a href="http://oldcastleprecast.com/wilsonville">oldcastleprecast.com/wilsonville</a>	