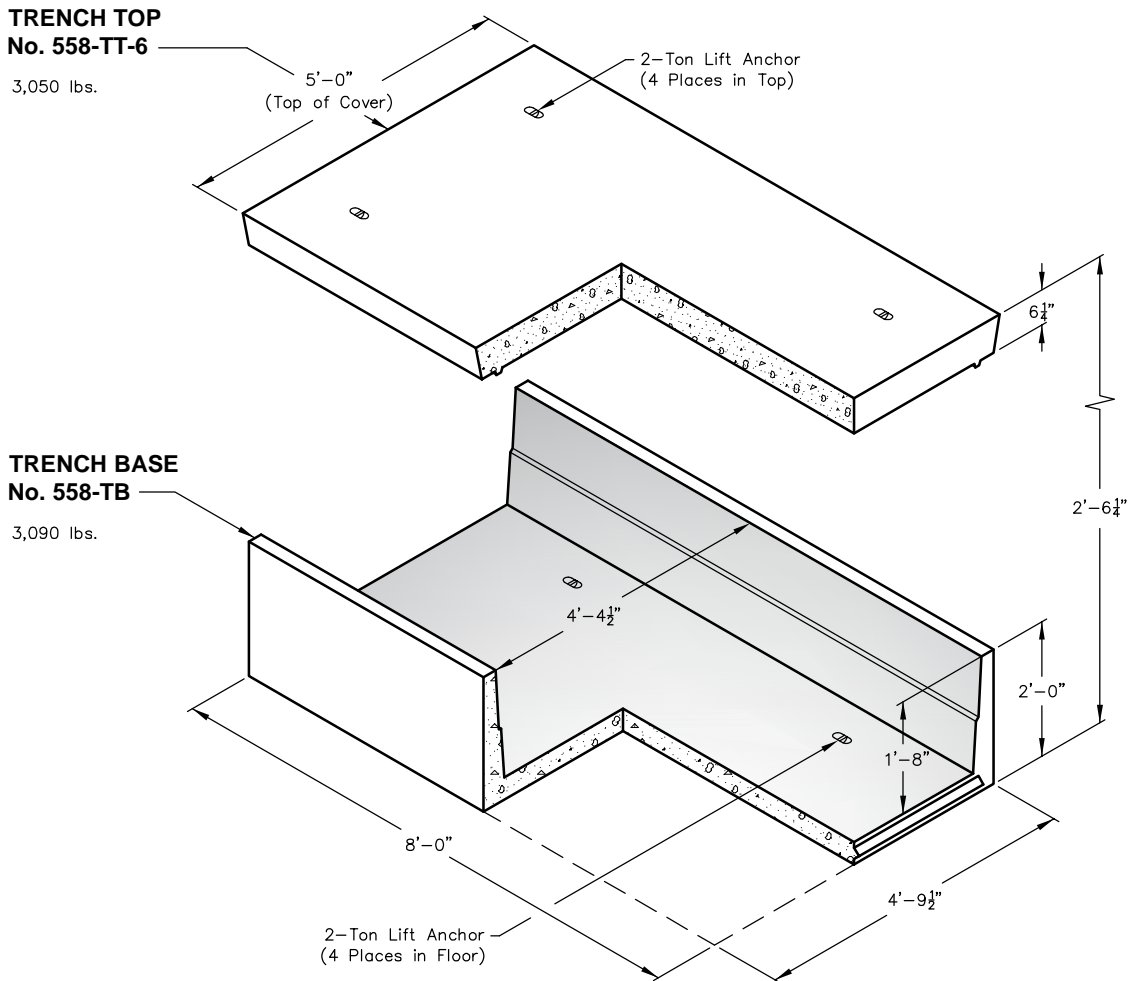



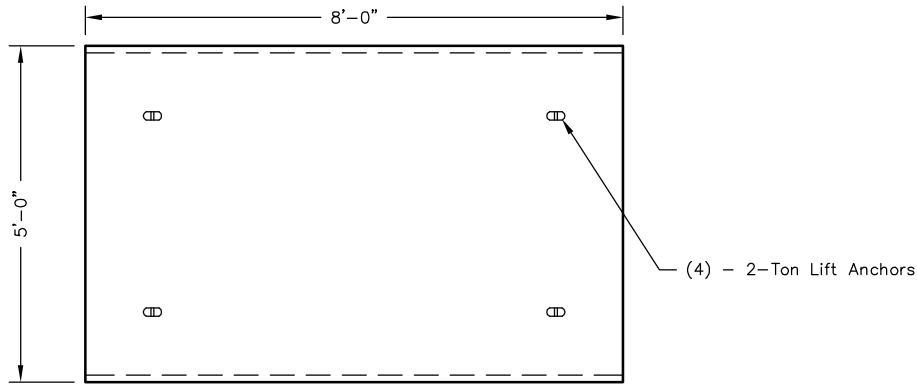
# 558 TRENCH



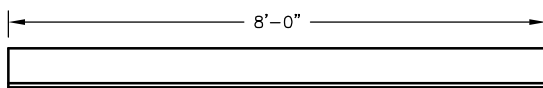
Note: Designed for 0 to 5'-0" of Cover

 <b>Oldcastle Precast®</b> PO Box 323, Wilsonville, Oregon 97070-0323 Tel: (503) 682-2844 Fax: (503) 682-2657	<b>558 TRENCH</b>	<b>558 TRENCH</b> <b>4 x 2</b>
	File Name: 020-558TR	
	Issue Date: 2016	
	<a href="http://oldcastleprecast.com/wilsonville">oldcastleprecast.com/wilsonville</a>	

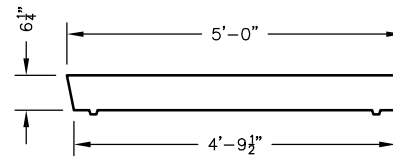
# 558 TRENCH



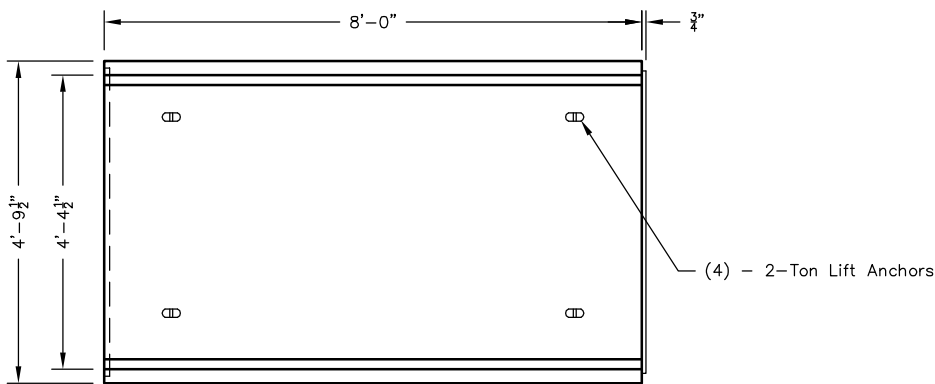
**PLAN VIEW - TOP**



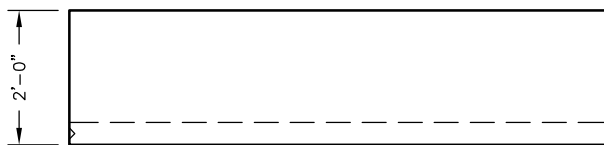
**SIDE VIEW - TOP**



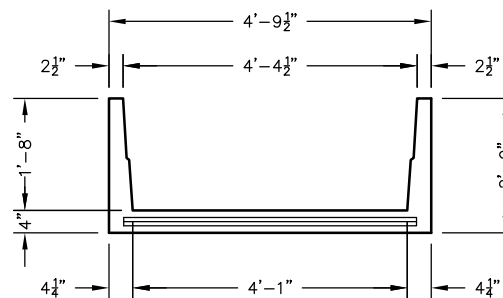
**END VIEW - TOP**



**PLAN VIEW - BASE**



**SIDE VIEW - BASE**



**END VIEW - BASE**

- Notes:
- Customer to grout or caulk joints on vertical plane.
  - Butyl resin sealant supplied for joints on horizontal plane.



PO Box 323, Wilsonville, Oregon 97070-0323  
Tel: (503) 682-2844 Fax: (503) 682-2657

## 558 TRENCH

File Name: 020-558TR

Issue Date: 2016

[oldcastleprecast.com/wilsonville](http://oldcastleprecast.com/wilsonville)

## 558 TRENCH 4 x 2