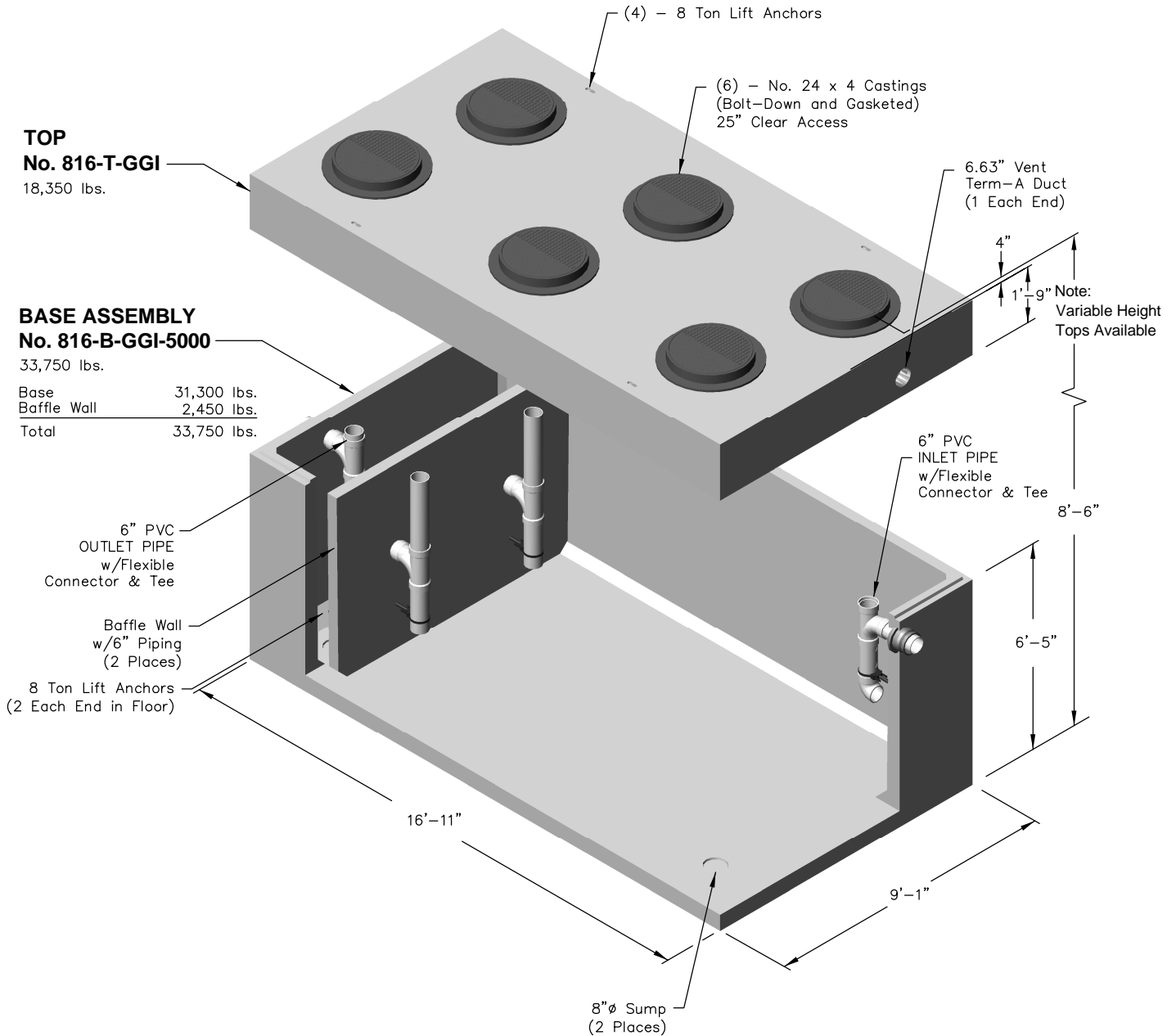


816-GGI-5000 6" PIPING



Note:
- Contractor is responsible for supplying crane to set vault.

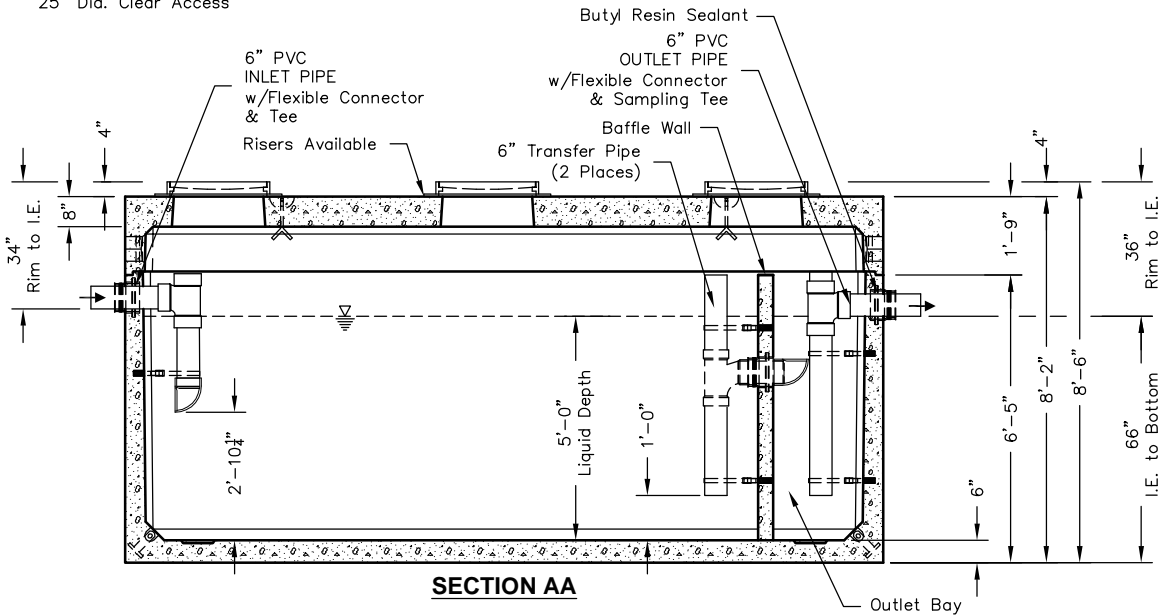
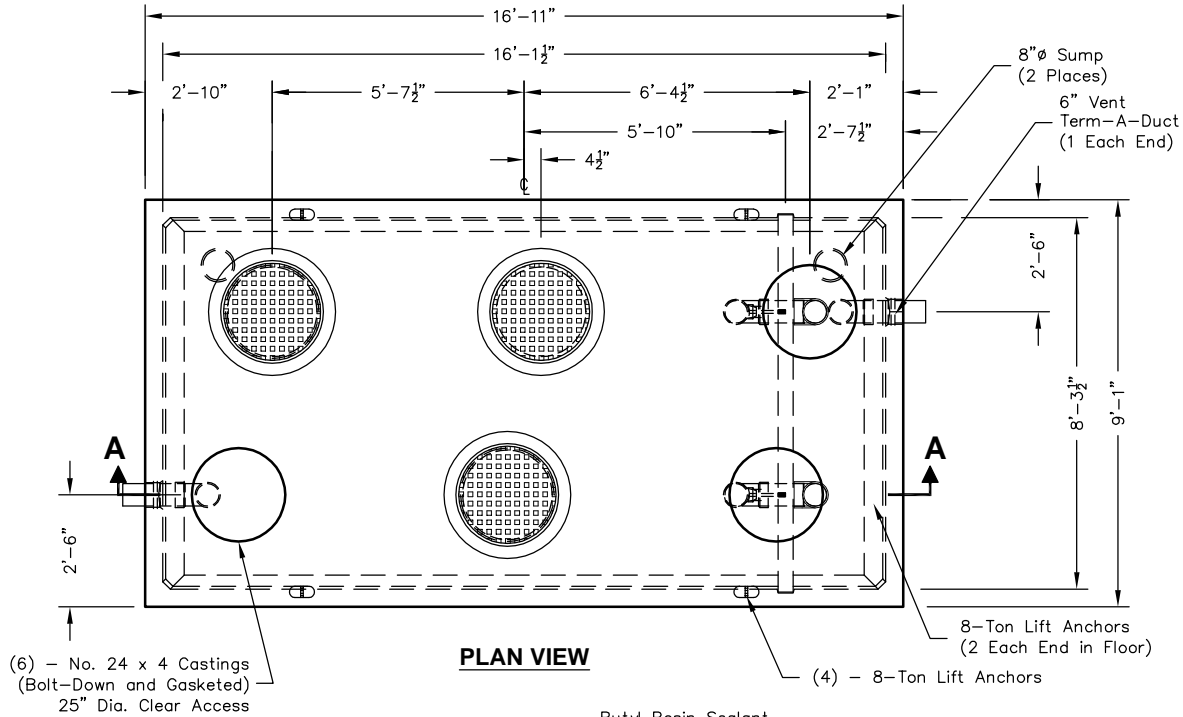


"IAPMO Listed"

Note: Designed for 0 to 5'-0" of Cover

<p>PO Box 323, Wilsonville, Oregon 97070-0323 Tel: (503) 682-2844 Fax: (503) 682-2657</p>	<p>816-GGI-5000</p>	<p>816-GGI-5000 GRAVITY GREASE INTERCEPTOR 5000 GALLON</p>
	<p>File Name: 020-816GGI-5000</p>	
	<p>Issue Date: 2016</p>	
	<p>oldcastleprecast.com/wilsonville</p>	

816-GGI-5000 6" PIPING



Gravity Grease Interceptor:

- Designed in accordance with IAPMO/ANSI Z1001, Manufactured per ASTM C1613
- Loading per ASTM C890 for AASHTO HS20-44 vehicle loading and maximum soil cover of 5'-0"
- Maximum allowable DFUs (Drainage Fixture Units) = 576 (equivalent to 5,000 gallon size)
- Corrosion resistant plastic liner available to extend the life of the tank.

Manufacturer's recommendations:

- Fill lift anchor pockets with grout.
- Ventilate each end to open atmosphere.
- Prior to "Start Up" of System, fill with clean water through inlet bay to bottom of transfer pipe (approx. one foot deep).
- Follow Regular Inspection, Cleaning, & Maintenance Schedule (See Clean Out & Maintenance Instructions).



PO Box 323, Wilsonville, Oregon 97070-0323
Tel: (503) 682-2844 Fax: (503) 682-2657

816-GGI-5000

File Name: 020-816GGI-5000

Issue Date: 2016

oldcastleprecast.com/wilsonville

**816-GGI-5000
GRAVITY GREASE
INTERCEPTOR 5000 GALLON**