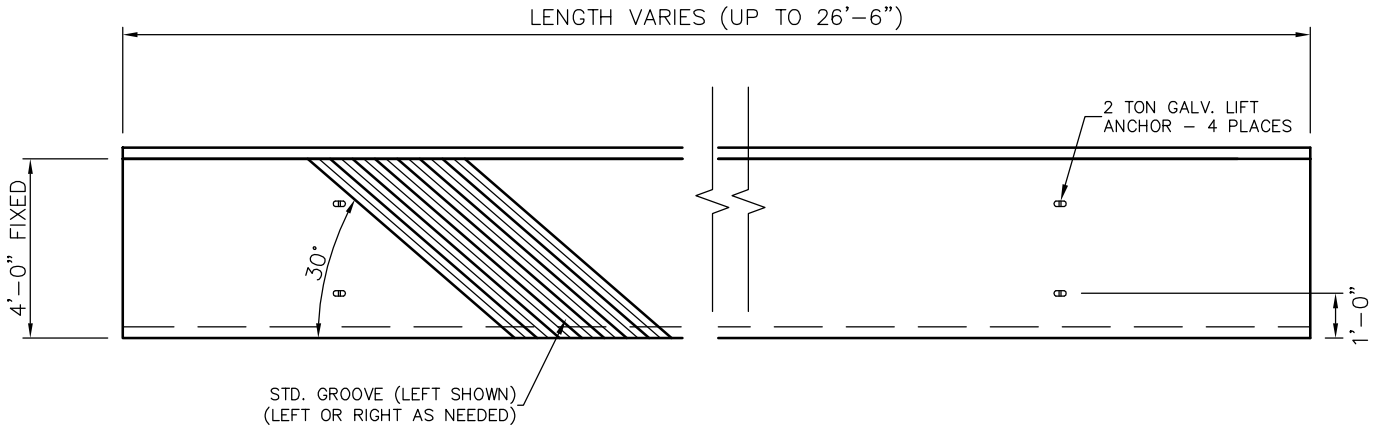
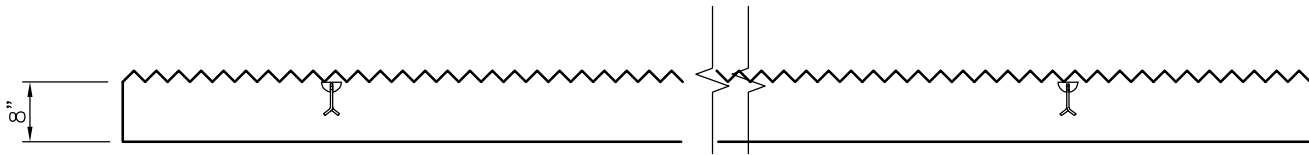


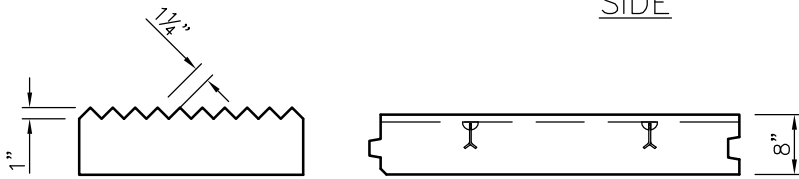
# BOAT RAMP PLANK



PLAN

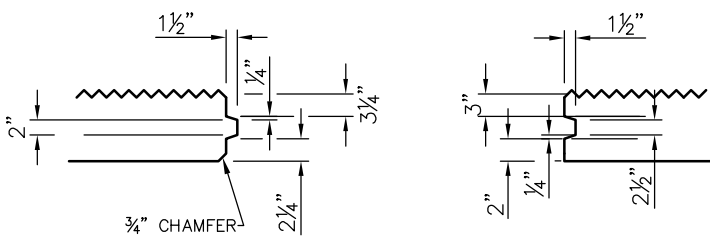


SIDE

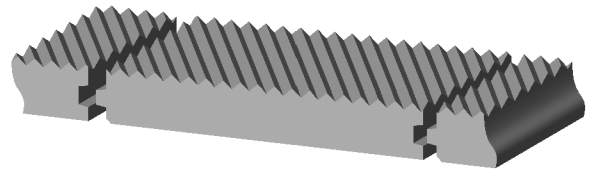


GROOVE DETAIL

END



KEYWAY DETAIL



PO Box 323, Wilsonville, Oregon 97070-0323  
Tel: (503) 682-2844 Fax: (503) 682-2657

## BOAT RAMP PLANK

File Name: 020-BOATRAMP

Issue Date: 2016

[oldcastleprecast.com/wilsonville](http://oldcastleprecast.com/wilsonville)

## BOAT RAMP PLANK STANDARD RAMP