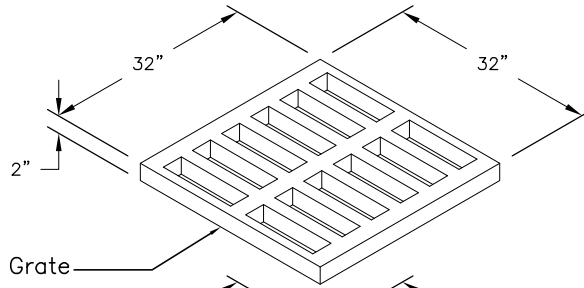


Heavy Duty Grate :

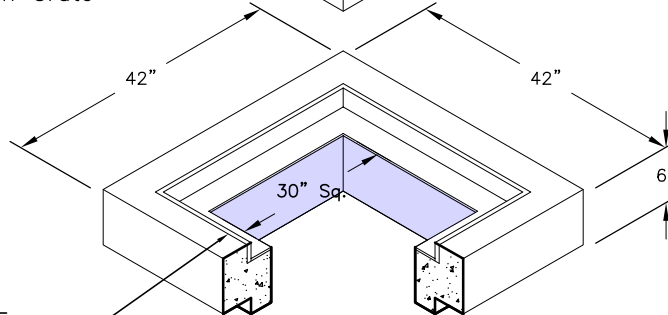
Weight : 305 Lbs.
Open Area 490 Sq. Inches



Cast Iron Grate

6" Riser W/ Frame

Weight : 435 Lbs.

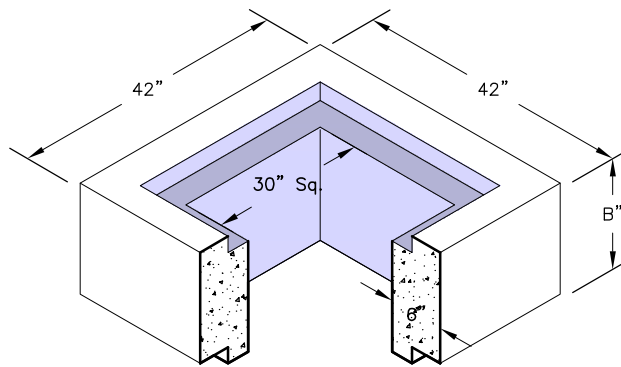


Cast in Frame

Risers

Weight : See Chart

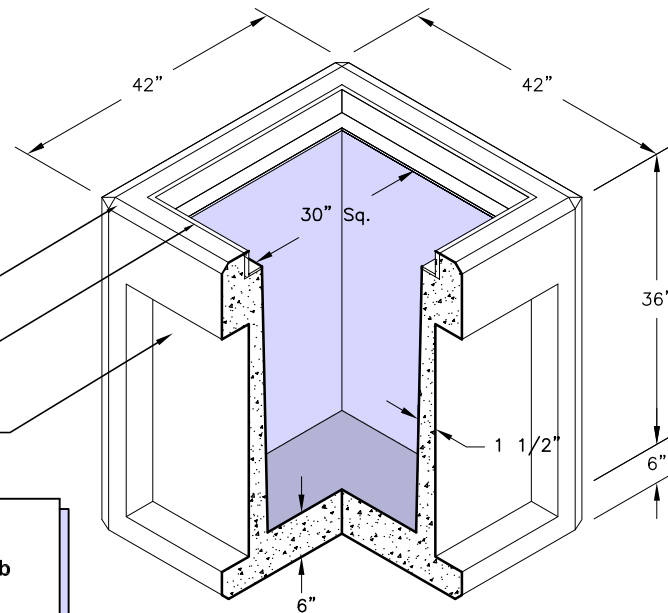
Extension	
B	Weight (Lbs.)
6"	420
12"	850



Bottom :

Weight : See Chart

Bottom	
Wall(s)	Weight (Lbs.)
4-Way	1,903



1" Chamfer (TYP. 4
Corners, Top & Bottom)

Cast in Frame (Optional)

30" Wide x 36" Tall x 4 1/2"
Deep Thin-wall Knockouts
Typical on all Four Walls
For 24" RCP or Smaller.

GENERAL NOTES:

1. Bedding Shall be in Accordance With Job and Plan Specifications.