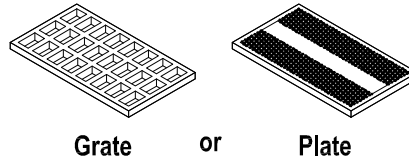
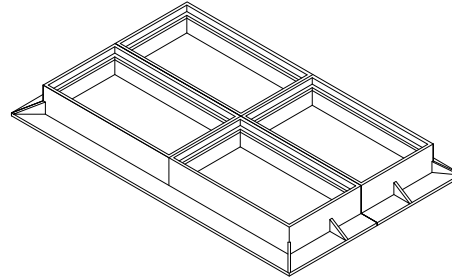


Optional

4 Cast Iron Frames & I-Beam

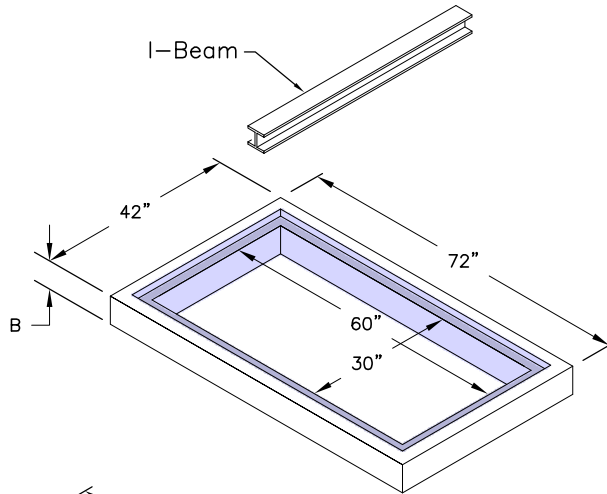
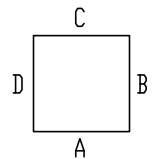
*Note: Grates or Plates Available on Request.
(Cast Into Paving)


Variable Riser

Weight : See Chart

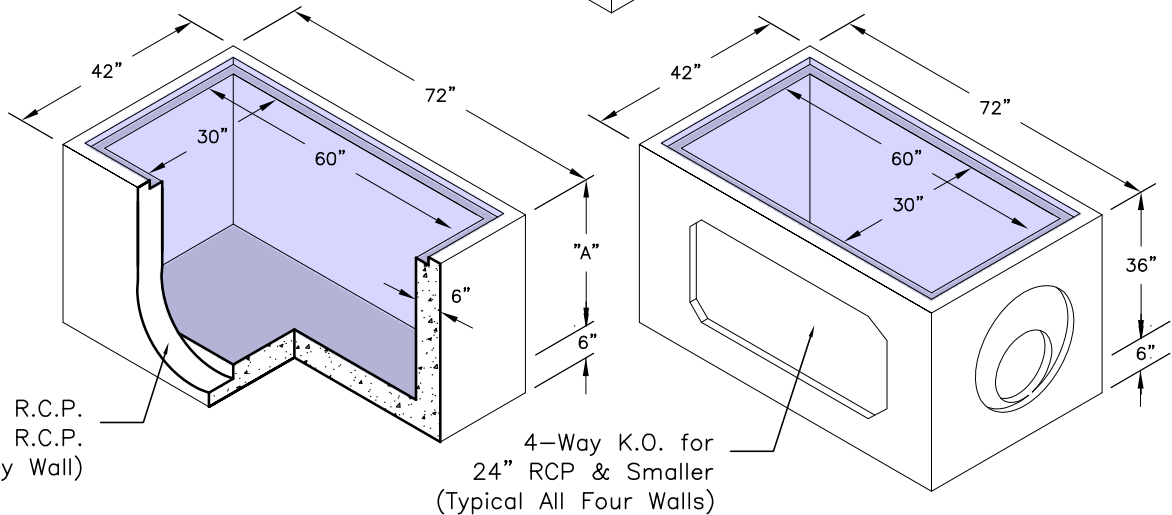
| Riser | |
|-------|---------------|
| B | Weight (Lbs.) |
| 6" | 648 |
| 12" | 1,275 |

I-Beam


Typical Orientation

Bottom :

Weight : See Chart

| Bottom | | |
|--------|---------------|---------|
| A | Weight (Lbs.) | Wall(s) |
| 26" | 4,021 | A |
| 32" | 4,421 | A |
| 36" | 4,082 | 4-Way |



32" Height for 24" R.C.P.
26" Height for 18" R.C.P.
(Typical Any Wall)

4-Way K.O. for
24" RCP & Smaller
(Typical All Four Walls)

GENERAL NOTES:

1. Bedding Shall be in Accordance With Job and Plan Specifications.