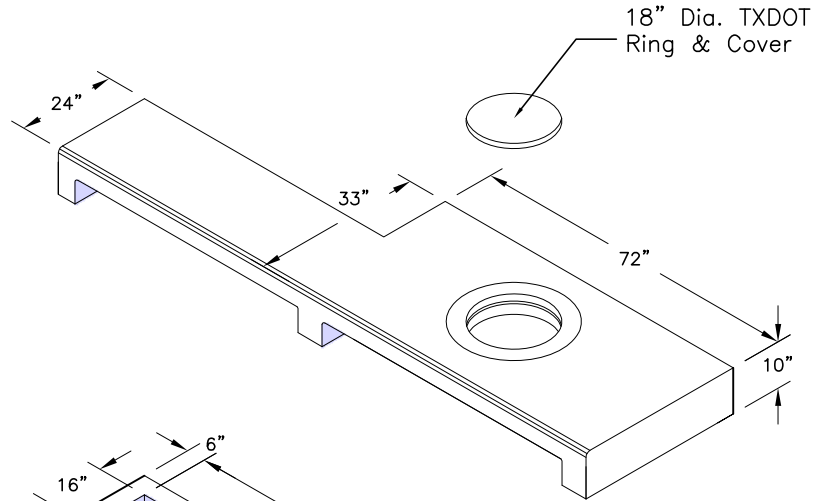


# INLETS

**21" x 60" Type "CI" Inlet With 1-Extension**  
 File: 266-TYP-CI1-DII Model: TYPE-CI1-INLET

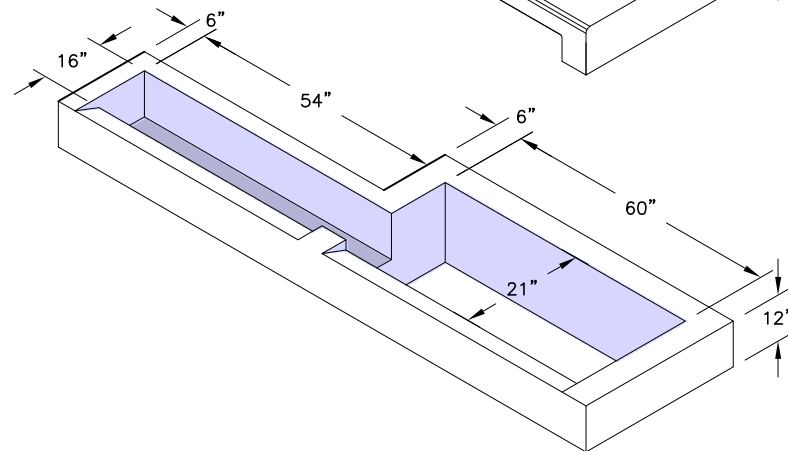
### Top (W/ Ext)

Weight : 2,550 lbs.



### Midsection w/ Extension

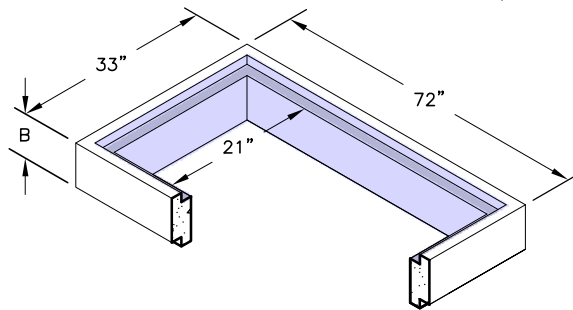
Weight : 2,050 Lbs.



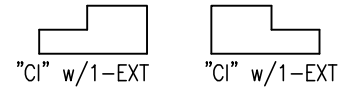
### Variable Riser

Weight : See Chart

Riser	
B	Weight (Lbs.)
6"	581
12"	1,163
24"	2,325
36"	3,488



### Extension Options

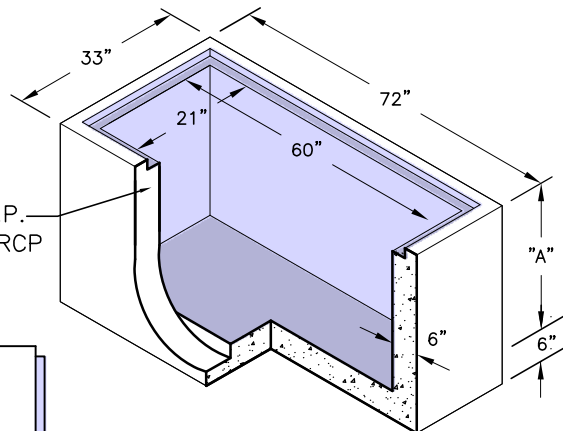


### Bottom :

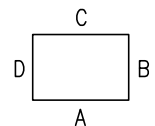
Weight : See Chart

Bottom	
A	Weight (Lbs.)
26"	3,483
32"	3,929

32" Height for 24" R.C.P.  
 or 26" Height for 18" RCP



### Typical Orientation



### GENERAL NOTES:

1. Bedding Shall be in Accordance With TXDOT Plans & Specifications.
2. C.I. Ring & Cover Conforms to TXDOT Item #471