

Oldcastle Precast[®]

GT-2000

FILE NAME: 324ECGGT2000_ISO.DWG

ISSUE DATE: January, 2008

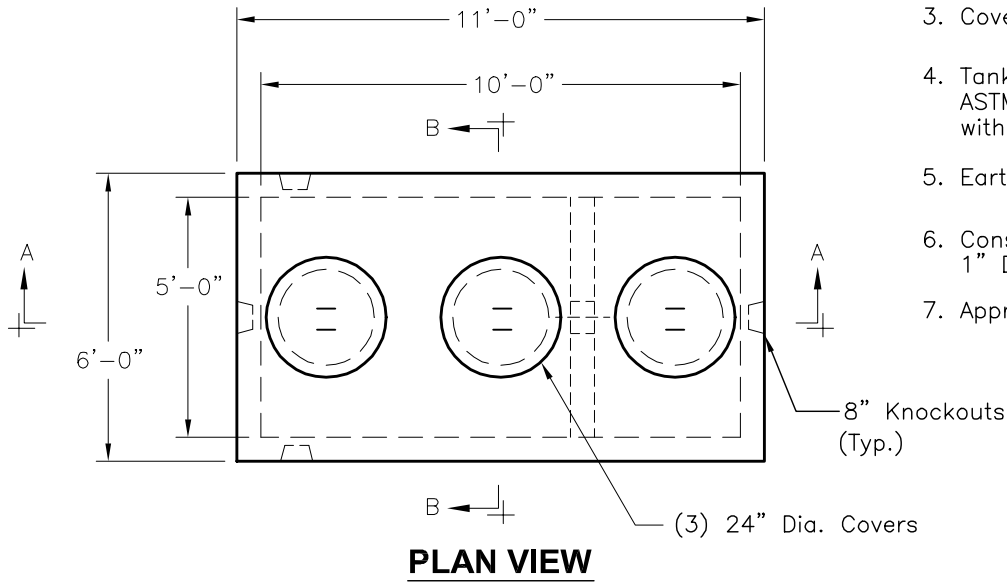
www.oldcastleprecast.com

5'-0" x 10'-0" x 6'-4" I.D.
Grease Trap
2,000 Gallon Capacity

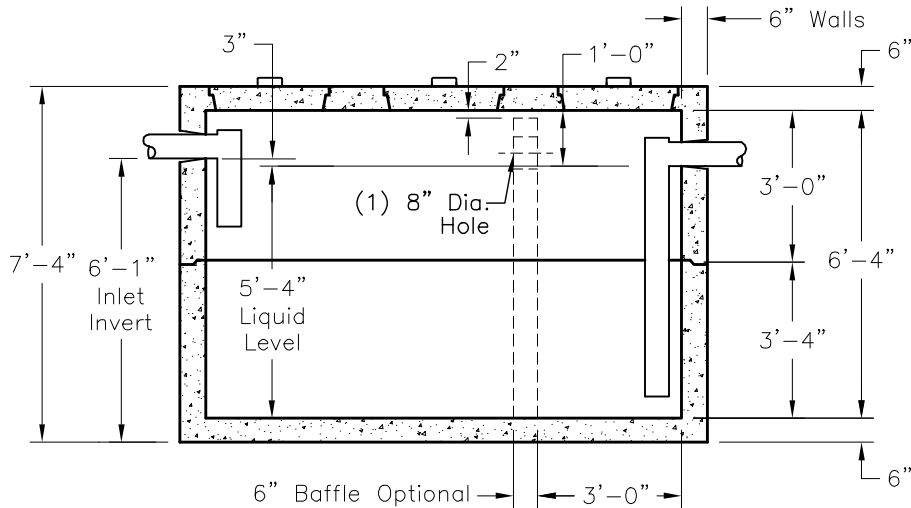
Copyright © 2008 **Oldcastle Precast**[®]

NOTES:

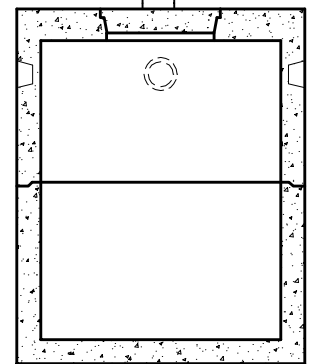
1. Concrete: 5,000 P.S.I
Minimum Strength @ 28 Days
2. Steel Reinforcement: ASTM A-615,
Grade 60.
3. Cover to Steel-1" Minimum
4. Tanks are Designed to Meet
ASTM C858 and ACI 318
with AASHTO HS-20 Loading
5. Earth Cover-0 to 5 Feet Max.
6. Construction Joint-Sealed with
1" Dia. Butyl Rubber or Equivalent
7. Approx. Wts: Top Section=6.1 Tons
Bottom Section= 6.5 Tons



PLAN VIEW



SECTION A-A



SECTION B-B



Oldcastle Precast®

GT-2000

FILE NAME: 324ECGGT2000_DET.DWG

ISSUE DATE: January, 2008

www.oldcastleprecast.com

**5'-0" x 10'-0" x 6'-4" I.D.
Grease Trap
2,000 Gallon Capacity**

Copyright © 2008 **Oldcastle Precast®**