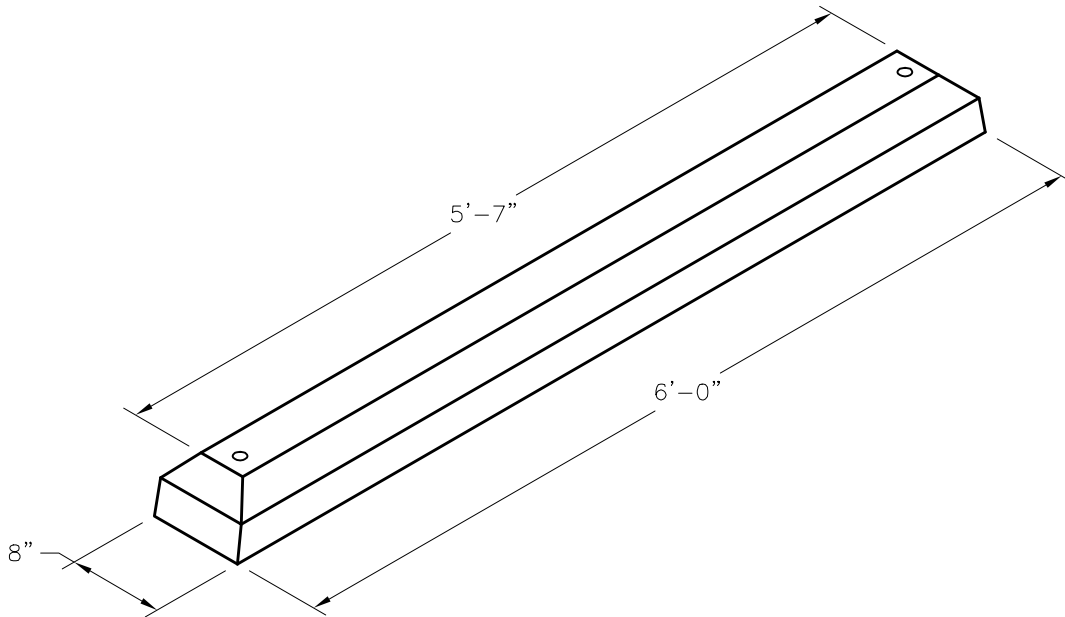


Car Stop

Weight - 225 lbs.
Item# - 1801800



SCALE: 3/4"=1'-0"



1100 Heritage Parkway, Mansfield, Texas 76063
Phone: 817.453.1054 Fax: 817.453.4007

CARSTOP

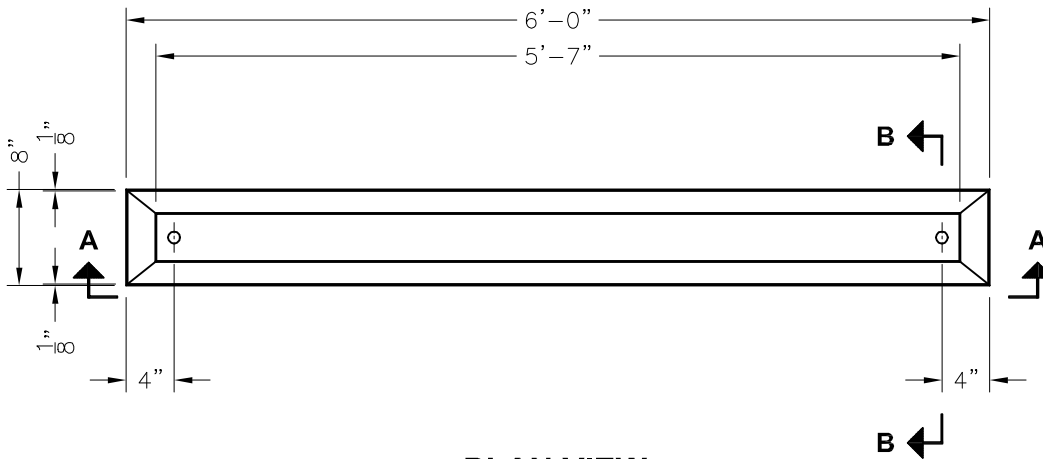
FILE NAME: 260UAHCARSTOP_F.dwg

ISSUE DATE: January, 2003

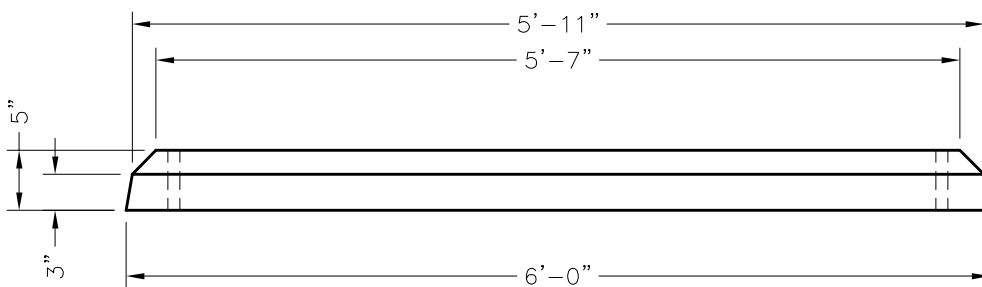
www.oldcastleprecast.com

**6'-0" Long
Car Stop**

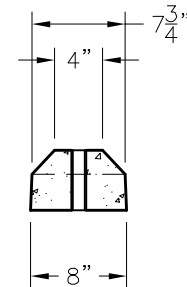
Copyright © 2002 Oldcastle Precast, Inc.



PLAN VIEW



ELEVATION A-A



SECTION B-B

SPECIFICATIONS:

1. Concrete: Has a Design Strength of 5,000 psi at 28 Days.
2. Steel Reinforcement: ASTM A-615, Grade 60.
3. Loading: Designed for H20 Loading.

SCALE: 3/4"=1'-0"



1100 Heritage Parkway, Mansfield, Texas 76063
Phone: 817.453.1054 Fax: 817.453.4007

CARSTOP

FILE NAME: 260UAH CARSTOP_B.dwg

ISSUE DATE: January, 2003

www.oldcastleprecast.com

**6'-0" Long
Car Stop**

Copyright © 2002 Oldcastle Precast, Inc.