

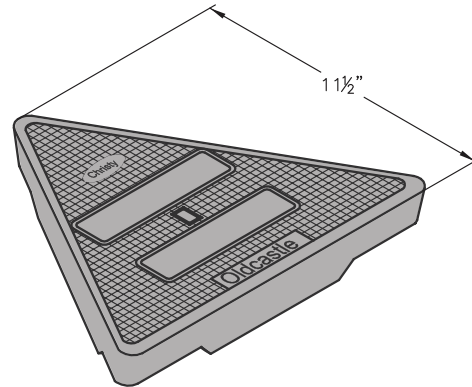
G04

CHRISTY®

COVER

| | |
|--------------------------|--------------------------|
| Style: | Flush |
| Material: | Cast Iron |
| Model: | 11" Triangle |
| Weight: | 16 lbs |
| Options: | Special Markings |
| Surface: | Skid Resistant & Marked* |
| Coefficient of Friction: | >0.6 ASTM 1028 |
| Performance: | H20, AASHTO M309 |

Cover comes standard with permanent markings for manufacturer, load rating, model size and manufacturing location.

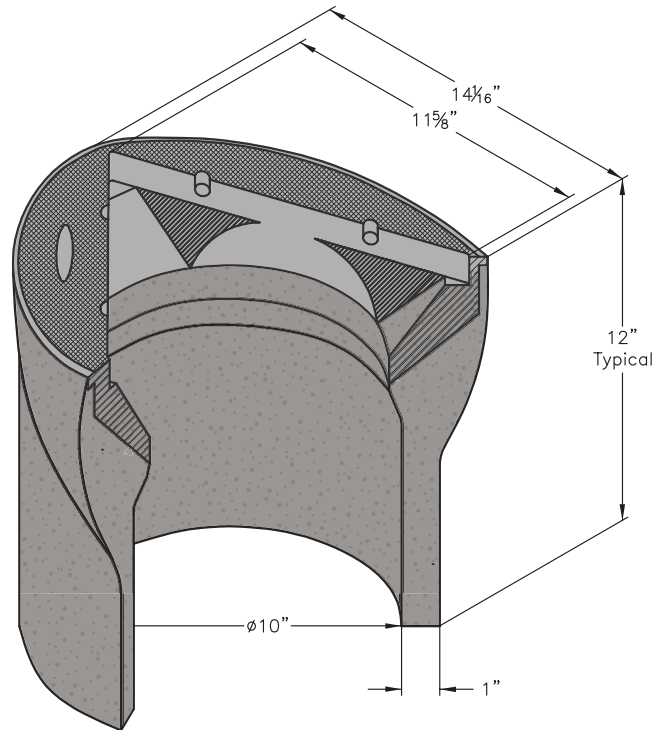


BODY

| | |
|--------------|--------------------------------------|
| Material: | Reinforced Concrete with Steel Frame |
| Model: | 11" Triangle |
| Weight: | 60 lbs |
| Wall Type: | Straight |
| Mouseholes: | 0 |
| Performance: | H20, AASHTO M309 |

EXTENSION

| | |
|-----------|------------------------------|
| Material: | High Density Polyethylene |
| Size: | 6", 8", 12", 18" & 10' Depth |



LOAD RATING / NOTES



TRAFFIC RATED
AASHTO H20

Actual load rating is determined by the box and cover combination.

WARNING: Cancer and Reproductive Harm - www.P65Warnings.ca.gov

All information contained on this sheet is current at the time of publication.
Oldcastle reserves the right to discontinue or update product information without notice.

Revision 12/06/18
© 2018 Oldcastle Infrastructure